






Dell™ Inspiron™ 8000: Removing and Replacing Parts

Preparing to Work Inside the Computer


-  **NOTICE:** Only a certified service technician should perform repairs on your computer. Damage or inoperability due to servicing not authorized by Dell is not covered by your warranty.
-  **NOTICE:** Unless otherwise noted, each procedure in this manual assumes that a part can be replaced by performing the removal procedure in reverse order.
-  **NOTICE:** To avoid damaging the computer, perform the following steps before you begin working inside the computer.
 - 1 Make sure that the work surface is clean to prevent scratching the computer cover.
 - 2 Save and close any open files, and exit any open programs.
 - 3 Turn off the computer and all attached devices.
 - 4 Make sure the computer is undocked.
 - 5 Disconnect the computer from the electrical outlet.
 - 6 To avoid possible damage to the system board, wait 10 to 20 seconds and then disconnect any attached devices.
 - 7 Disconnect all other external cables from the computer.
 - 8 Remove any installed PC Cards or plastic blanks from the PC Card slot.
 - 9 Close the display and turn the computer upside down on a flat work surface.
 - 10 Remove the primary battery from the battery bay and the secondary battery from the media bay, if a secondary battery is in use.
-  **NOTICE:** To avoid damaging the system board, you must remove the main battery and secondary battery (if present) before you service the computer.

 **HINT:** Make sure the computer is turned off and not in standby or hibernate mode. If you cannot shut down the computer using the computer's operating system, press and hold the power button for 4 seconds.

- 11 Remove any installed device in the media bay.
- 12 To dissipate any static electricity while you work, periodically touch an unpainted metal surface on the surface of the computer, such as the I/O panel on the back of the computer chassis.
- 13 Handle components and cards with care. Do not touch the components or contacts on a card. Hold a card by its edges or by its metal mounting bracket. Hold a component such as a microprocessor by its edges, not by its pins.

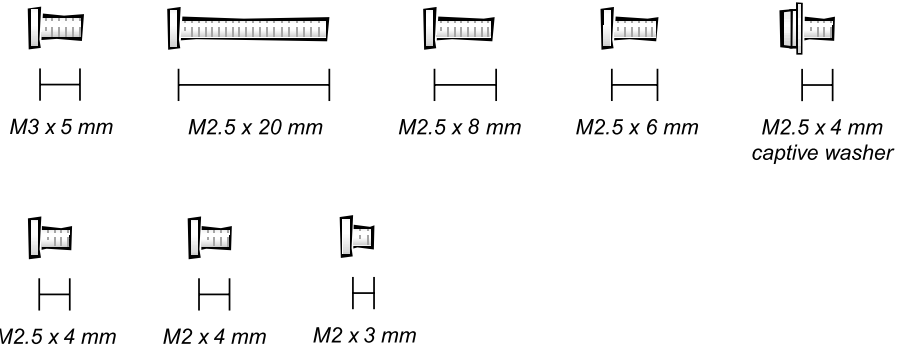
Recommended Tools

- Number 1 magnetized Phillips screwdriver
- Small flat-blade screwdriver
- Pry stick
- Small plastic scribe
- Microprocessor extractor
- Flash BIOS update program floppy disk or CD (required only when upgrading the microprocessor, replacing the reserve battery, or replacing the system board).

 **NOTICE:** If the computer is running Microsoft® Windows® Millennium Edition (Me), you need to download the operating system update utility for Windows Me from <http://support.dell.com> and install it before you upgrade the BIOS.








Screw Identification








Before removing and replacing components, photocopy the screw placemat as a tool to lay out and keep track of the screws. The placemat provides the number of screws and the sizes.



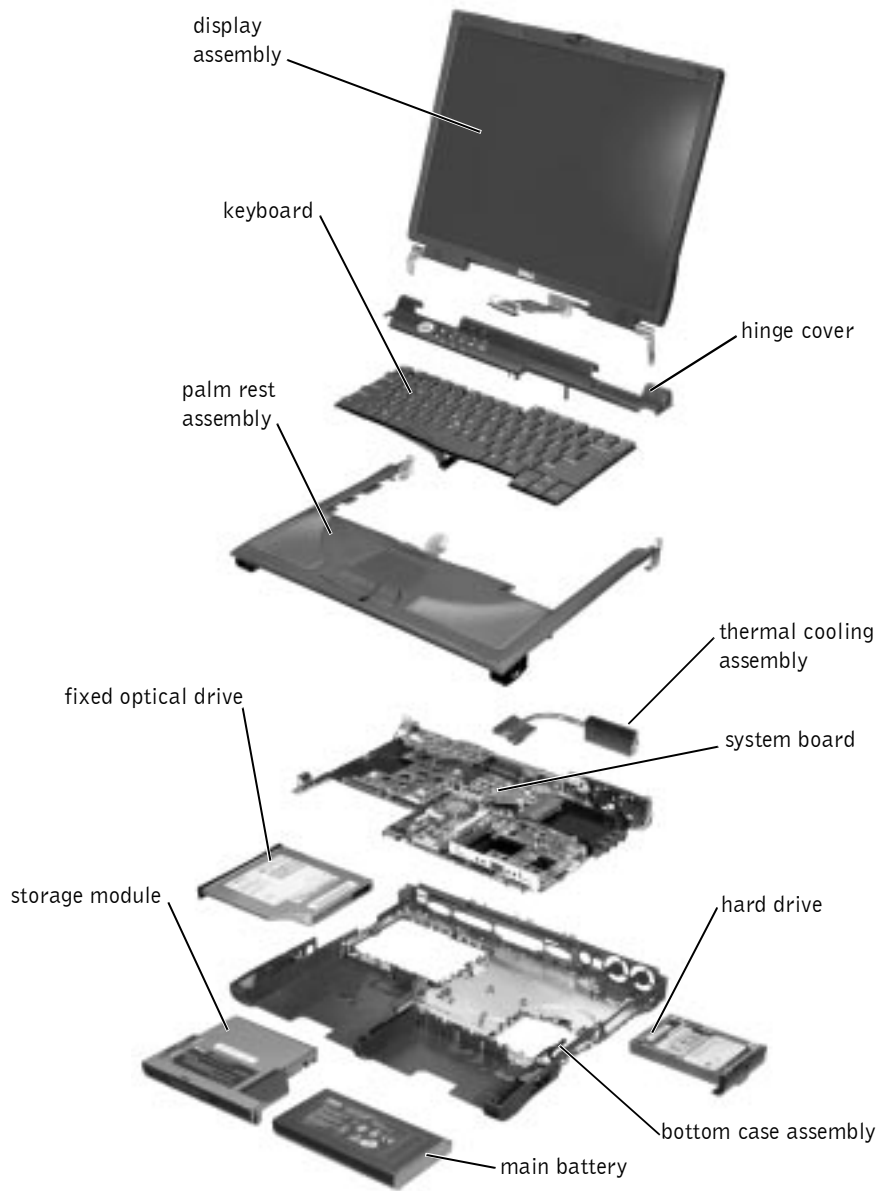
NOTICE: When reinstalling a screw, you must use a screw of the correct diameter and length. Make sure that the screw is properly aligned with its corresponding hole, and avoid over tightening.

Screw Placemat

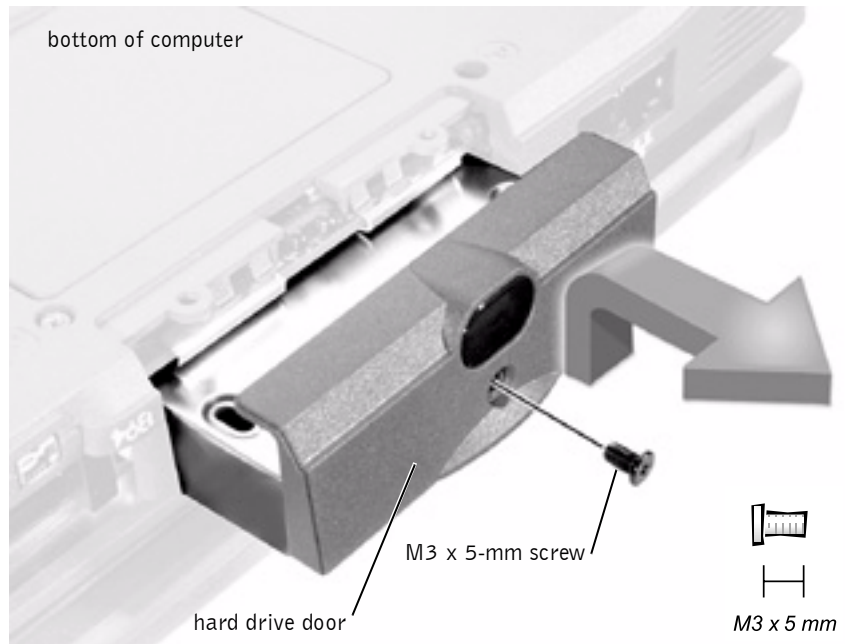
<p>Hard Drive Door Security: M3 x 5 mm (1 each)</p> 	<p>Keyboard to Bottom Case Assembly: M2.5 x 20 mm (4 each; plus one in memory module cover and one in Mini PCI card cover)</p> 	<p>Display to Base: M2.5 x 6 mm (3 each; 2 at back of computer; 1 at flex-cable strain relief)</p> 
<p>Display Bezel: Rubber screw covers (4 each) Plastic screw covers (2 each) M2.5 x 4 mm (6 each)</p> 	<p>Display Panel to Display Mounting Bracket: M2 x 3 mm (6 each)</p>  <p>Flex-Cable Mounting Bracket to Top Cover: M2.5 x 4 mm (1 each)</p> 	<p>Video Card: M2.5 x 8 mm (3 each)</p> 

<p>Palm Rest to Bottom Case Assembly: M2.5 x 20 mm (9 each)</p>  <p>Palm Rest Bracket: M2.5 x 4 mm (2 each)</p> 	<p>System Board: M2.5 x 4 mm captive washer (3 each)</p>  <p>M2.5 x 20 mm (1 each)</p> 	<p>LED Board: M2 x 4 mm (2 each)</p> 
<p>Fan Assembly: M2 x 4 mm (3 each)</p> 	<p>RJ-11/RJ-45 Board Assembly: M2.5 x 4 mm (1 each)</p> 	

System Components



Hard Drive



- ➔ **NOTICE:** Disconnect the computer and attached devices from electrical outlets and remove any installed batteries.
- ➔ **NOTICE:** To avoid ESD, ground yourself by using a wrist grounding strap or by periodically touching an unpainted metal surface on the computer.

Removing the Hard Drive

- ➔ **NOTICE:** To avoid damaging the system board, you must remove the main battery before you service the computer.
- ➔ **NOTICE:** Make sure that the work surface is clean to prevent scratching the computer cover.
- ➔ **NOTICE:** The disk drive is very sensitive to shock. Handle the assembly by its edges (do not squeeze the top of the hard drive case), and avoid dropping it.

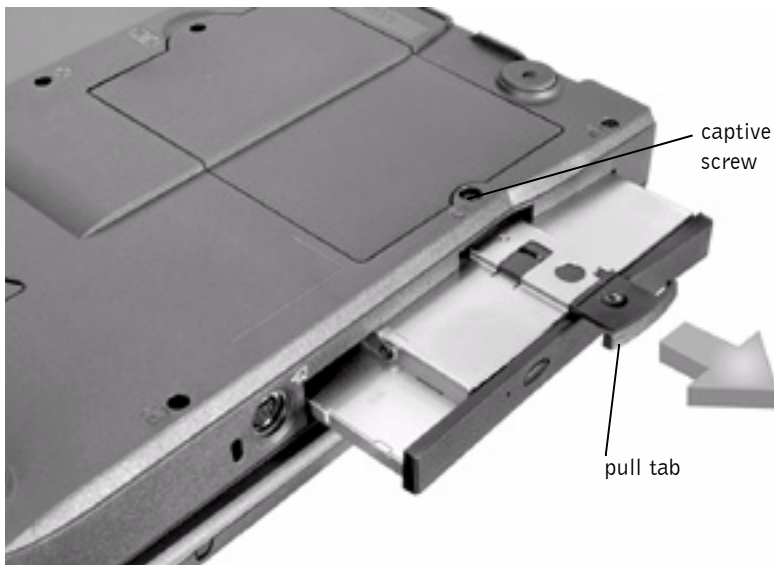
- 1 Follow the instructions in [“Preparing to Work Inside the Computer.”](#)

- 2 Close the display, turn the computer upside down on a flat work surface, and remove the main battery and secondary battery (if present).
- 3 Remove the M3 x 5-mm screw from the center of the hard drive door.
- 4 Slide the drive door up until the drive assembly tab disengages from the door slots in the bottom case assembly.
- 5 Carefully pull the drive assembly straight out of the bottom case assembly.

Replacing the Hard Drive

- 1 Push the drive assembly into the hard drive opening on the left side of the computer.
- 2 Align the drive assembly tabs with the bottom case assembly slots and push down until it clicks into place.
- 3 Replace the M3 x 5-mm screw in the drive door.

Fixed Optical Drive



- ➡ **NOTICE:** Disconnect the computer and attached devices from electrical outlets and remove any installed batteries.
- ➡ **NOTICE:** To avoid ESD, ground yourself by using a wrist grounding strap or by periodically touching an unpainted metal surface on the computer.

Removing the Fixed Optical Drive

- 1 Follow the instructions in [“Preparing to Work Inside the Computer.”](#)
- 2 Loosen the captive screw on the bottom of the computer.
- ➡ **NOTICE:** To keep the pull tab from catching on the captive screw, turn the computer over before removing the fixed optical drive.
- 3 Turn the computer over, pull out the pull tab, and use the pull tab to remove the fixed optical drive.

Media Bay Devices

- ➡ **NOTICE:** Disconnect the computer and any attached devices from electrical outlets, and remove any installed batteries.
- ➡ **NOTICE:** To avoid ESD, ground yourself by using a wrist grounding strap or by periodically touching an unpainted metal surface on the computer.

Removing Media Bay Devices

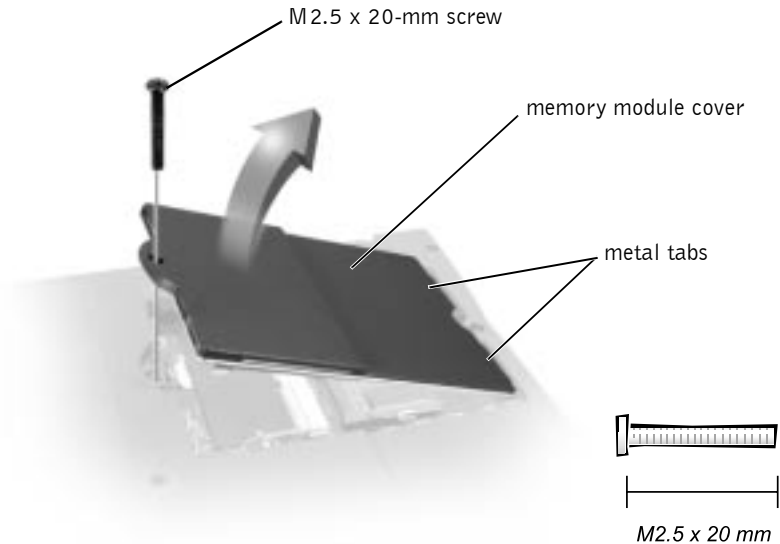
- 1 Follow the instructions in [“Preparing to Work Inside the Computer.”](#)
- 2 Close the display, turn the computer upside down on a flat work surface, and remove the main battery.
- 3 Remove the device from the media bay.
- 4 Push the module latch toward the right side of the computer. Keep holding the latch open while pulling the device out of the media bay with the other hand.

Memory Modules

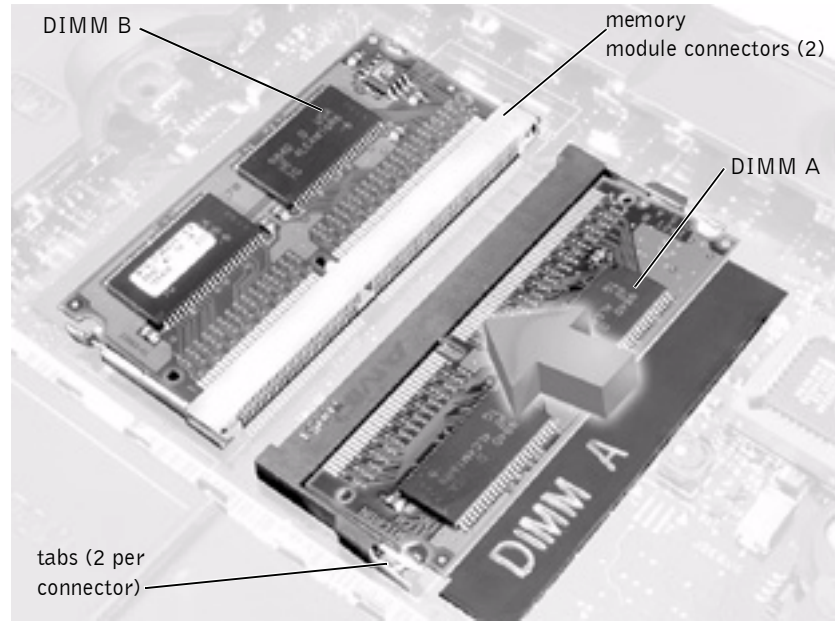
- ➡ **NOTICE:** Disconnect the computer and attached devices from electrical outlets and remove any installed batteries.
- ➡ **NOTICE:** To avoid possible damage to the memory module from ESD, ground yourself by using a wrist grounding strap or by periodically touching an unpainted metal surface on the computer.

Removing the Memory Module Cover

- ➔ **NOTICE:** To avoid damaging the system board, you must remove the main battery before you service the computer.
 - ➔ **NOTICE:** Make sure that the work surface is clean to prevent scratching the computer cover.
 - ➔ **NOTICE:** Handle memory modules with care. Do not touch the components on a module. Hold a module by its edges.
- 1 Follow the instructions in [“Preparing to Work Inside the Computer.”](#)
 - 2 Remove the screw.
 - 3 Disengage the metal tabs at the opposite end of the cover.




Removing Memory Modules



- 1 Remove the [memory module cover](#).
- 2 To release a memory module from its connector, spread apart the tabs at each side of the module until the module pops up slightly.
- 3 Lift the memory module out of its connector.

Replacing Memory Modules

 **HINT:** Memory modules are keyed, or designed to fit into their connectors, in only one direction.

- 1 If you only have one memory module, install it in the connector labeled "DIMM A." If you have two memory modules, install the second module in the connector labeled "DIMM B."
- 2 Insert the memory module's edge connector with the slot at a 45-degree angle, and press the memory module firmly into the slot.
- 3 Pivot the memory module down until it clicks into place. If you do not hear a click, remove the module and reinstall it.
- 4 Insert the metal tabs on the memory module cover into the bottom case assembly. Rotate the cover down and replace the screw.

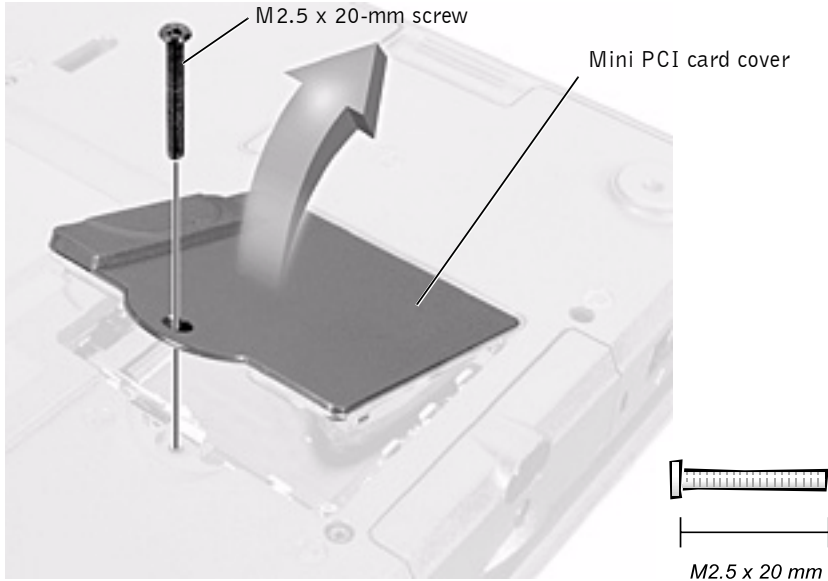
Mini PCI Card Assembly

- ➔ **NOTICE:** Disconnect the computer and attached devices from electrical outlets and remove any installed batteries.
- ➔ **NOTICE:** To avoid ESD, ground yourself by using a wrist grounding strap or by periodically touching an unpainted metal surface on the computer.

You must remove the optional Mini PCI card assembly before the system board assembly can be removed. A Mini PCI card assembly may consist of a modem, a network adapter, a modem and network adapter combination, or a wireless network adapter. A modem, network adapter, or modem and network adapter combination must be connected to the wiring harness as appropriate; a wireless network adapter must be connected to the system's internal antenna.

Removing the Mini PCI Card Assembly


- 1 Follow the instructions in [“Preparing to Work Inside the Computer.”](#)
- 2 Remove the M2.5 x 20-mm screw and lift out the Mini PCI card cover.

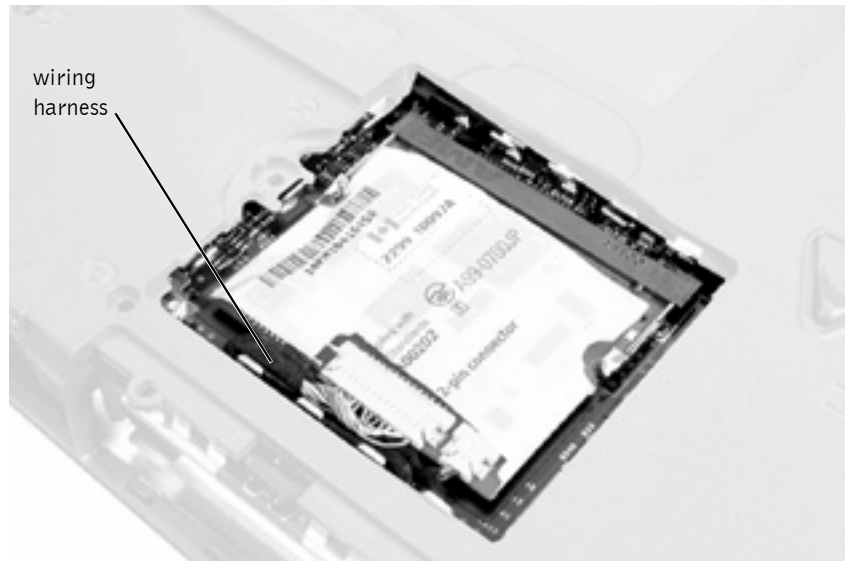


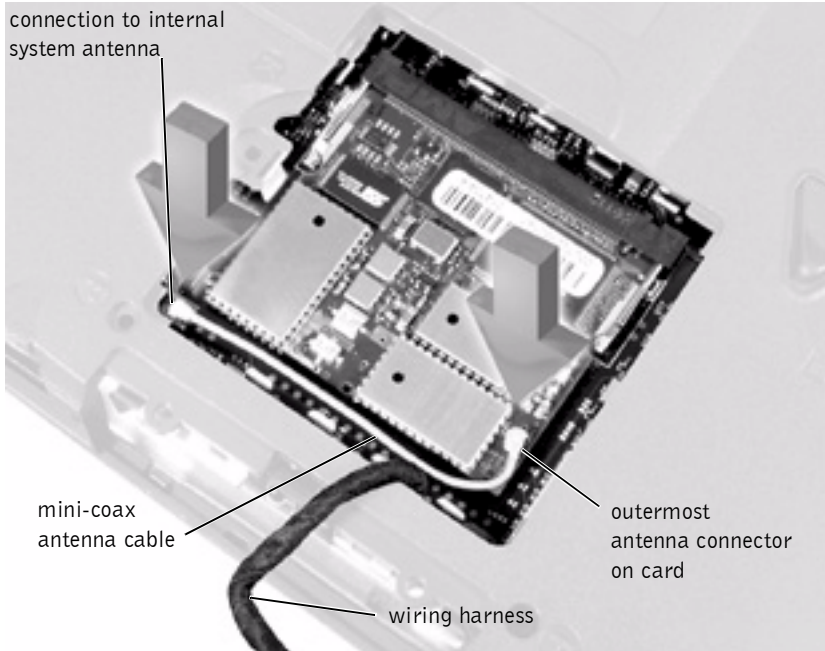
- 3 To release the Mini PCI card assembly, spread the metal securing tabs until the assembly pops up slightly.
- 4 Disconnect the assembly from the wiring harness or internal antenna.
- 5 Lift out the assembly and disconnect any attached cables.

Replacing the Mini PCI Card Assembly

- 1 Align the Mini PCI card assembly with the connector at a 45-degree angle, and press the Mini PCI card into the connector.
- 2 Depending on what type of Mini PCI card you are installing, either connect the wiring harness to the Mini PCI card assembly, or connect the mini-coax antenna cable to the Mini PCI card assembly and to the internal antenna.

 **NOTICE:** The connectors are keyed for correct insertion; do not force the connections.





- ➔ **NOTICE:** If a wireless network adapter card contains two mini-coax antenna connectors, connect the mini-coax cable to the *outermost* antenna connector as shown.
- ➔ **NOTICE:** If you are installing a wireless network adapter, fold and tuck the unused wiring harness into the slot so that it does not interfere with the cover.
- 3 Pivot the Mini PCI card assembly down until it clicks into place.
- 4 Replace the Mini PCI card assembly cover.

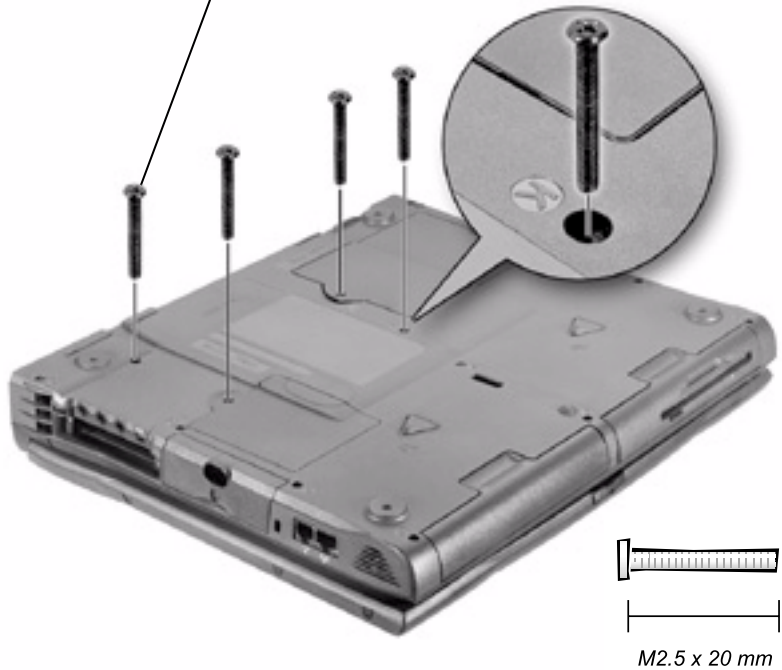
Keyboard Assembly

- ➔ **NOTICE:** Disconnect the computer and attached devices from electrical outlets and remove any installed batteries.
- ➔ **NOTICE:** To avoid ESD, ground yourself by using a wrist grounding strap or by periodically touching an unpainted metal surface on the computer.

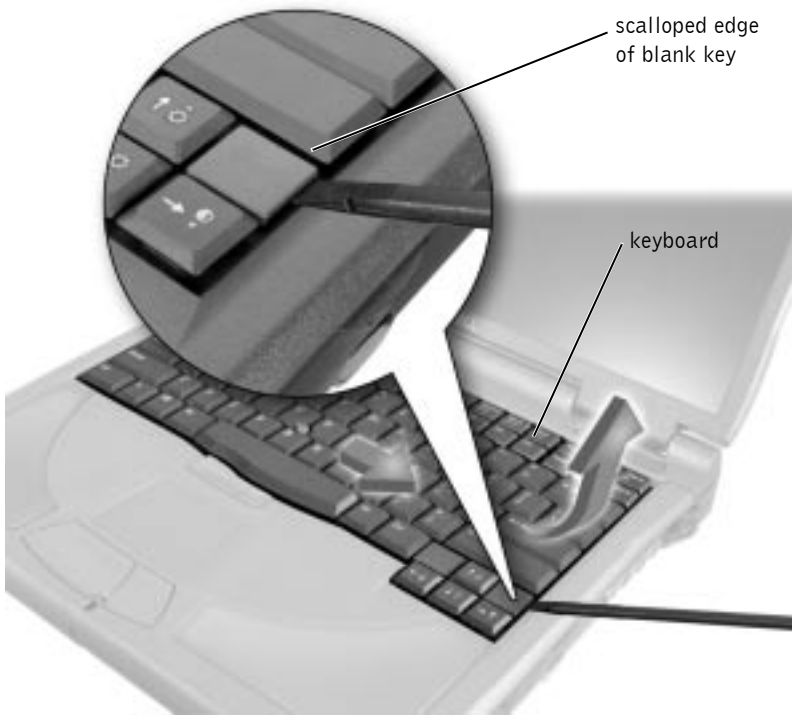
Removing the Keyboard Assembly

- 1 Follow the instructions in “[Preparing to Work Inside the Computer.](#)”
- 2 Turn the computer over and remove the four screws labeled with a “circle K.”

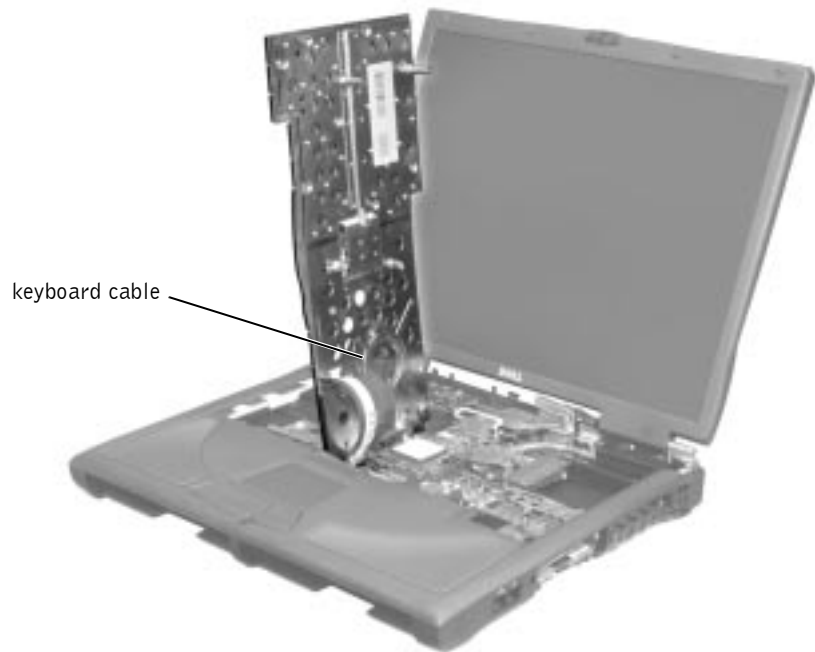
M2.5 x 20-mm screws (4)



- 3 Turn the computer over and open the display.
- NOTICE:** Be careful when handling the keyboard. The keycaps are fragile, easily dislodged, and time-consuming to replace.
- 4 Insert a pry stick under the blank key to pry up the keyboard.



- 5 Lift the right end of the keyboard, and slide it slightly to the right to disengage the tabs at the left end.
- 6 Pivot the keyboard and balance it upright on the left side of the computer.

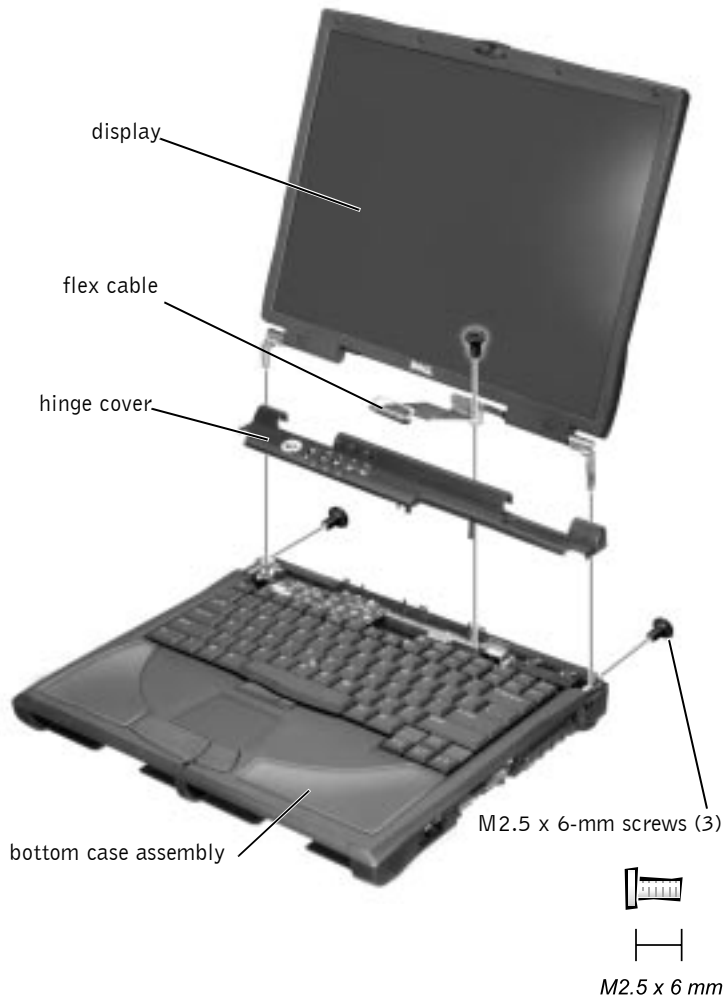


- 7 Disconnect the keyboard cable and lay the keyboard assembly aside.

Replacing the Keyboard Assembly

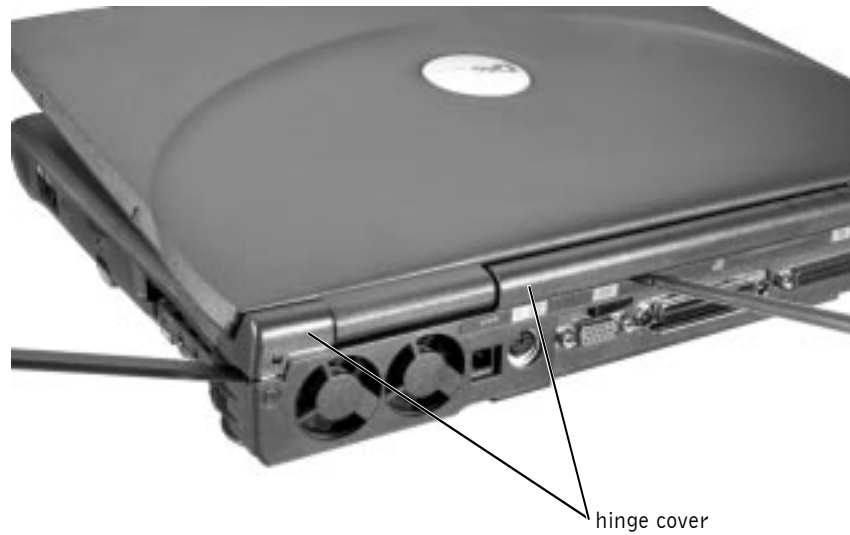
- 1 While bracing the keyboard assembly upright on its left end, connect the keyboard cable to the interface connector on the system board.
- ➡ **NOTICE:** Position the keyboard/track stick flex cable so that it is not pinched when you replace the keyboard in the bottom case assembly.
- 2 Insert the metal tabs at the left end of the keyboard under the edge of the bottom case assembly, and fit the keyboard into place.
- 3 Check that the keyboard is correctly installed. The keys should be flush with the left and right surfaces of the palm rest.
- 4 Reinstall the four screws in the holes labeled “circle K.”

Display and Bezel Assembly



- ➔ **NOTICE:** Disconnect the computer and attached devices from electrical outlets and remove any installed batteries.
- ➔ **NOTICE:** To avoid ESD, ground yourself by using a wrist grounding strap or by periodically touching an unpainted metal surface on the computer.

Removing the Hinge Cover

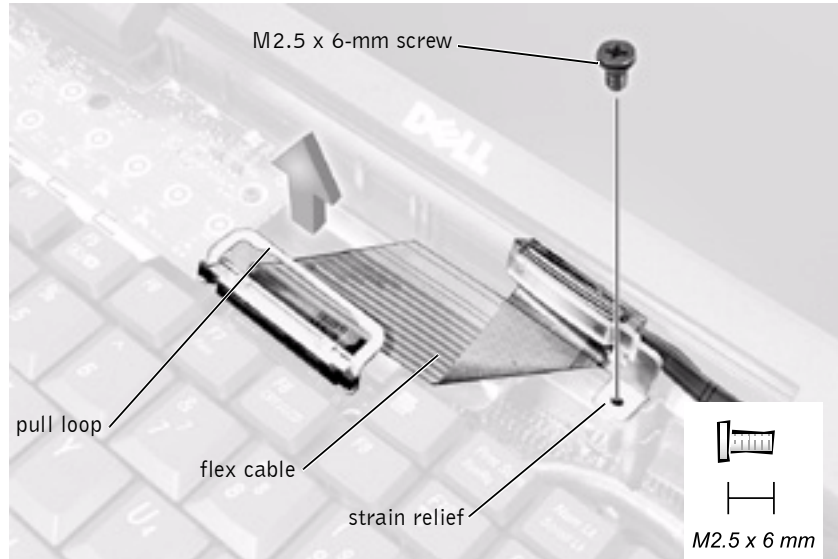


- 1 Follow the instructions in [“Preparing to Work Inside the Computer.”](#)
- 2 Use a nonmarring tool to loosen the hinge cover at the back and at each side of the computer.
- 3 Open the display and lift off the hinge cover.

Removing the Display Assembly



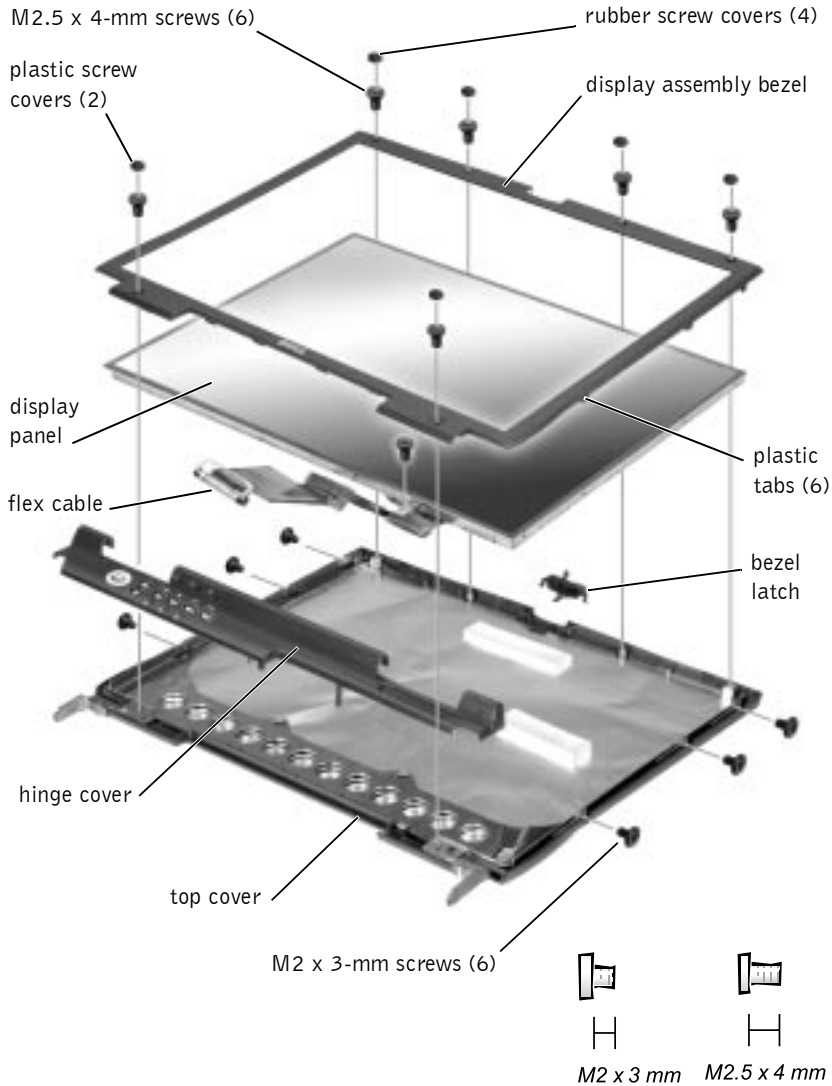
- 1 Remove the [hinge cover](#).
- 2 Remove the M2.5 x 6-mm screw that secures the flex cable to the strain relief, and then use the pull loop to remove the flex cable from the video card.



NOTICE: When reconnecting the flex cable, press down on both ends of the connector, not in the middle. Pressing the middle of the connector can damage fragile components.

- 3 Open the display and remove the two screws (marked with a “circle D”) that secure the display assembly to the bottom case assembly.
- 4 With the display in an upright position, lift the display assembly from the bottom case assembly.

Display Assembly Bezel and Panel



NOTICE: Disconnect the computer and attached devices from electrical outlets and remove any installed batteries.



HINT: The 14.1-inch display panel has two M2.5 x 4-mm screws at the top of the bezel and two at the bottom.



NOTICE: To avoid ESD, ground yourself by using a wrist grounding strap or by periodically touching an unpainted metal surface on the computer.

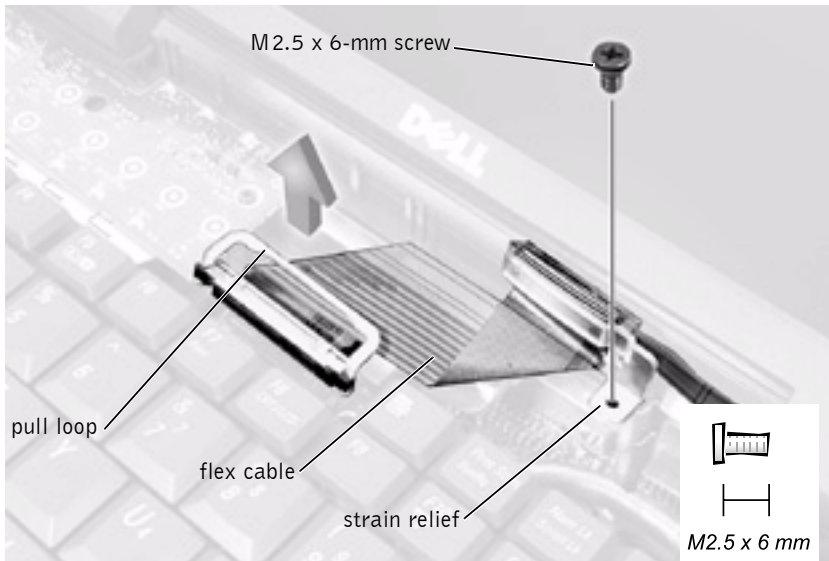
Removing the Display Assembly Bezel

- 1 Follow the instructions in “[Preparing to Work Inside the Computer.](#)”
- 2 Use a scribe to pry loose the four rubber screw covers located across the top of the bezel.
- 3 Remove the four M2.5 x 4-mm screws located across the top of the bezel.
- 4 Use a scribe at the indentations to pry loose the plastic screw covers located at the bottom of the bezel.
- 5 Remove the two M2.5 x 4-mm screws located at the bottom of the bezel.
- 6 Separate the bezel from the display-assembly top cover.

The bezel is secured to the display assembly top cover with plastic tabs around the sides. Use a plastic scribe to help separate the bezel from the top cover.

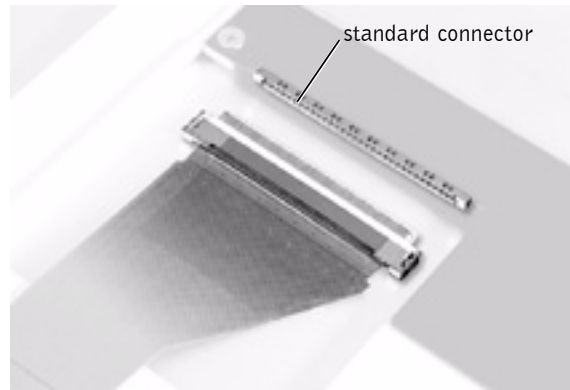
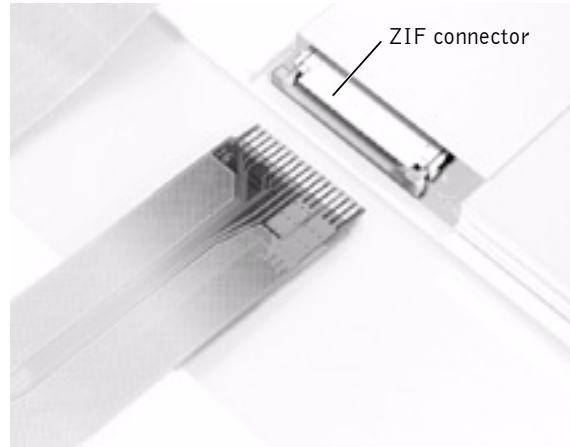
Removing the Display Panel

- 1 Remove the [hinge cover](#).
- 2 Remove the screw securing the flex cable to its strain relief, and then use the pull loop to remove the flex cable from the video card.



NOTICE: When reconnecting the flex cable, press down on both ends of the connector, not in the middle. Pressing the middle of the connector can damage fragile components.

- 3 Remove the [display assembly bezel](#).
- 4 Remove the M2.5 x 4-mm screw securing the plastic flex-cable mounting bracket to the top cover assembly.
- 5 Remove the six M2 x 3-mm screws (three on each side) from the right and left sides of the panel.
- 6 Lift the display panel and flex cable out of the top cover assembly.
- 7 Disconnect the flex cable from the two connectors (a ZIF and a standard connector) on the display panel assembly.



HINT: Use a magnetic screwdriver to reassemble the display panel in the display.

Replacing the Display Panel

- 1 Connect the flex cable to the two connectors on the back of the display panel.
- 2 Place the display panel assembly in the top cover, taking care that the flex cable is in place and is not crushed or crimped.
- 3 Reinstall the M2.5 x 4-mm screw that secures the flex-cable mounting bracket to the top cover.

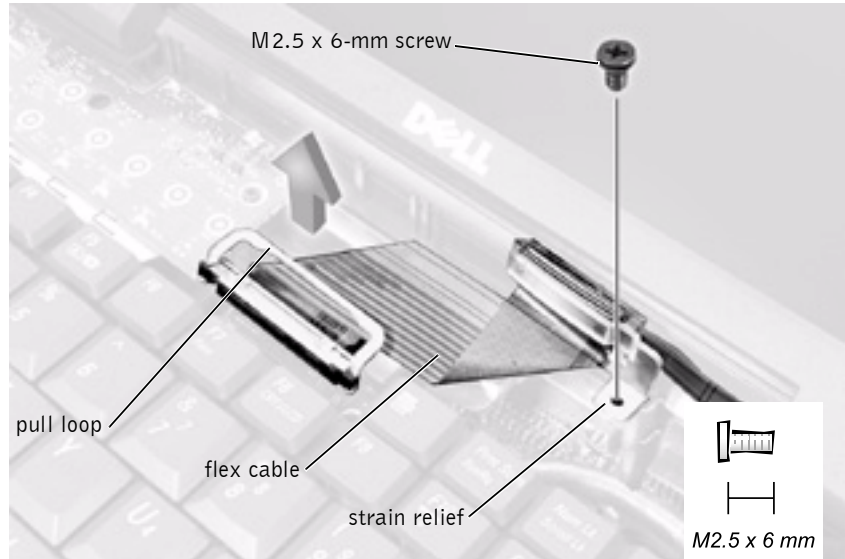
- 4 Starting on the left side, use a magnetic screwdriver to reinstall the six M2 x 3-mm screws that secure the display panel in the top cover.
- 5 Reinstall the display assembly bezel.

Display Latch Assembly



- 1 Remove the [hinge cover](#).
- 2 Remove the screw securing the flex cable to its strain relief, and then use the pull loop to remove the flex cable from the video card.

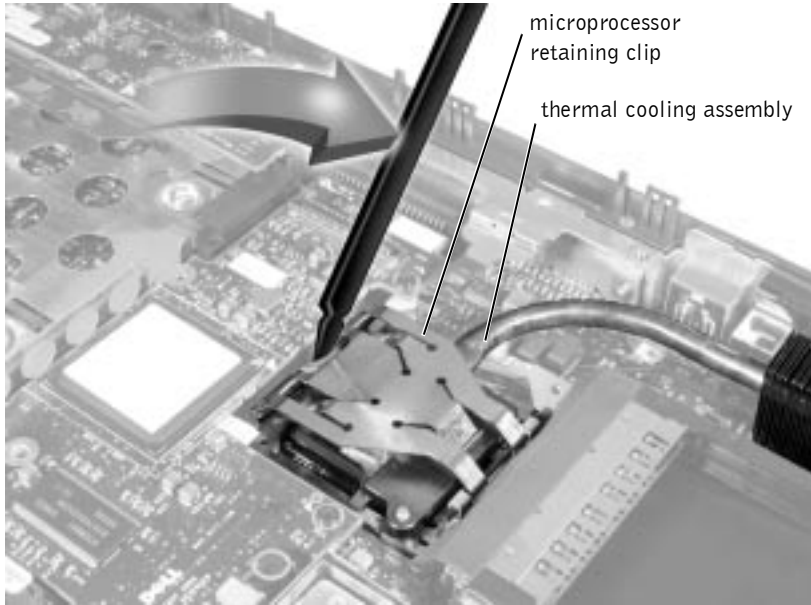
NOTICE: When reconnecting the flex cable, press down on both ends of the connector, not in the middle. Pressing the middle of the connector can damage fragile components.



- 3 Remove the [display assembly bezel](#).
- 4 Remove the display panel from the top cover.
- 5 Remove the display latch by unsnapping the latch and captive spring.

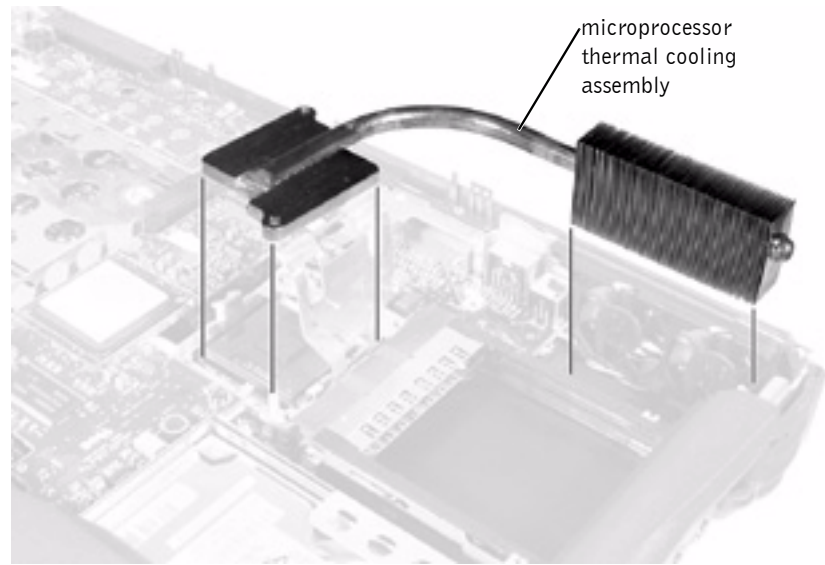
➡ **NOTICE:** When replacing the display assembly latch, it may help to flex the cover slightly to allow more space while seating the latch.

Microprocessor Thermal Cooling Assembly



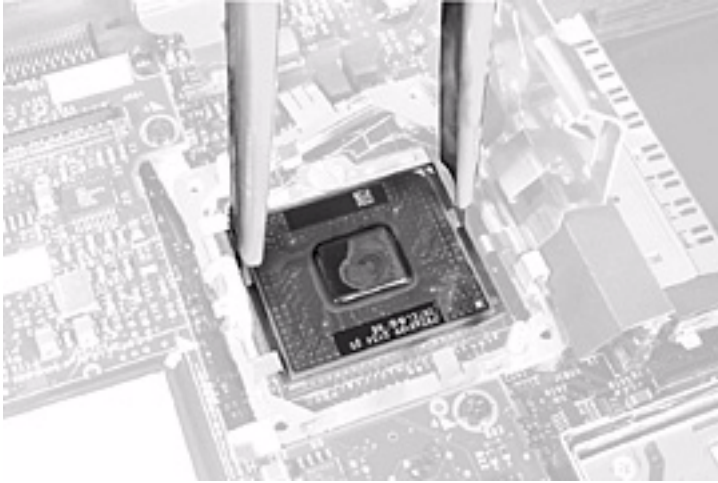
- ➔ **NOTICE:** Disconnect the computer and attached devices from electrical outlets and remove any installed batteries.
- ➔ **NOTICE:** To avoid ESD, ground yourself by using a wrist grounding strap or by periodically touching an unpainted metal surface on the computer.

Removing the Microprocessor Thermal Cooling Assembly



- 1 Follow the instructions in “[Preparing to Work Inside the Computer.](#)”
- 2 Remove the [keyboard assembly](#).
- 3 Remove the [hinge cover](#).
- ➡ **NOTICE:** To ensure maximum cooling for the microprocessor, do not touch the heat transfer areas on the thermal cooling assembly. The oils in your skin reduce the heat transfer capability of the thermal pads.
- 4 Insert a pry stick into the latch mechanism at the left side of the microprocessor retaining clip and pry open the clip.
- 5 Lift out the thermal cooling assembly.

Microprocessor Module

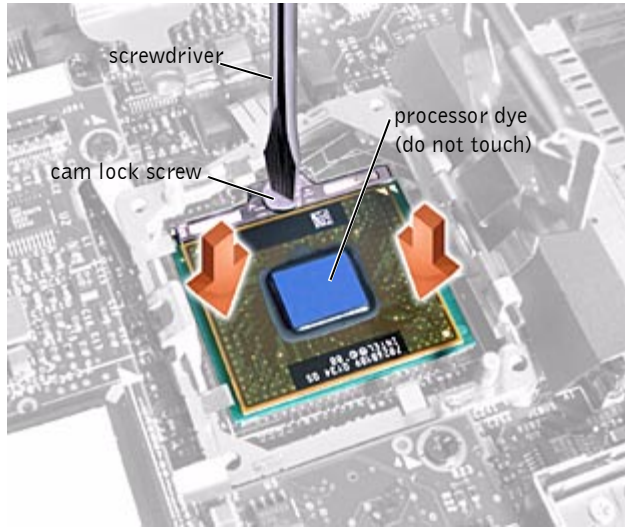


- ➔ **NOTICE:** Disconnect the computer and attached devices from electrical outlets and remove any installed batteries.
- ➔ **NOTICE:** To avoid ESD, ground yourself by using a wrist grounding strap or by periodically touching an unpainted metal surface on the computer.

Removing the Microprocessor Module

- 1 Follow the instructions in “[Preparing to Work Inside the Computer.](#)”
- 2 Remove the [keyboard assembly](#).
- 3 Remove the [hinge cover](#).
- ➔ **NOTICE:** To ensure maximum cooling for the microprocessor, do not touch the heat transfer areas on the thermal cooling assembly. The oils in your skin reduce the heat transfer capability of the thermal pads.
- 4 Remove the [microprocessor thermal cooling assembly](#).
- ➔ **NOTICE:** When removing the microprocessor module, pull the module straight up. Do not bend the pins.
- 5 Remove the microprocessor module.

- ➔ **NOTICE:** To avoid damaging the microprocessor when removing the cam lock screw, hold the screwdriver so that it is perpendicular to the microprocessor.
- a Loosen the microprocessor socket cam lock screw. The location of the screw and the rotation direction may vary with the socket manufacturer; look for small icons indicating open and locked positions.




- b Use the microprocessor extraction tool to remove the microprocessor module.

Replacing the Microprocessor Module


- ➔ **NOTICE:** After replacing the microprocessor module, update the BIOS using a flash BIOS update program floppy disk or CD that came with the replacement microprocessor.
- ➔ **NOTICE:** If the computer is running Microsoft® Windows® Millennium Edition (Me), you need to download the operating system update utility for Windows Me from <http://support.dell.com> and install it before you upgrade the BIOS.
- ➔ **NOTICE:** Proper seating of the microprocessor module does not require force.
- ➔ **NOTICE:** A microprocessor module that is not properly seated can result in an intermittent connection and subsequent failures.

- 1 Align the pin-1 triangle on the microprocessor toward the pin-1 triangle in the connector, insert the microprocessor into the socket, and move it around slightly until you feel it settle into the socket.

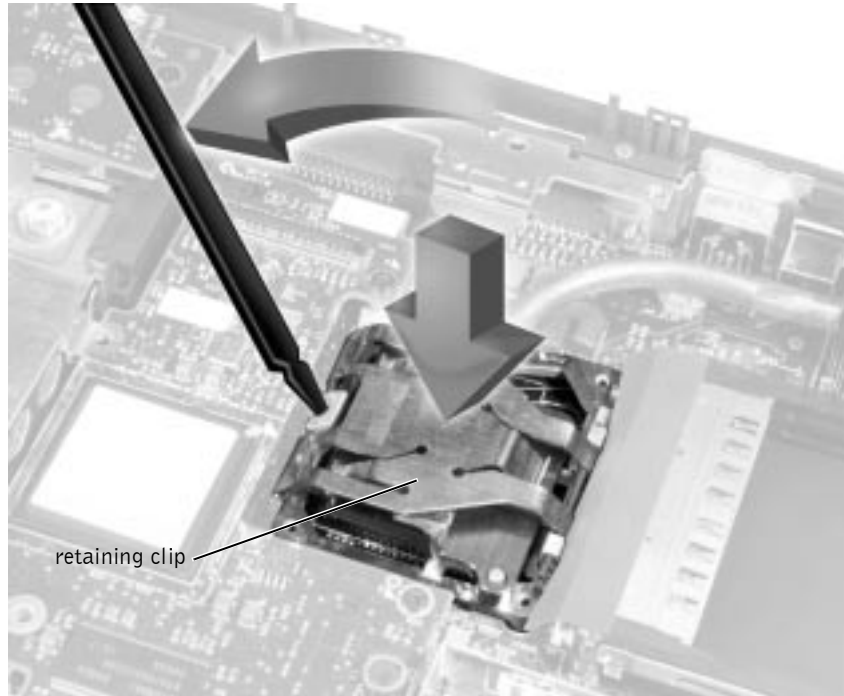
When the microprocessor module is correctly seated, all four corners are aligned to the same height. If one or more corners of the module are higher than the others, the module is not seated correctly.

 **NOTICE:** Hold the microprocessor down while turning the cam lock screw to prevent intermittent contact between the cam lock screw and microprocessor.

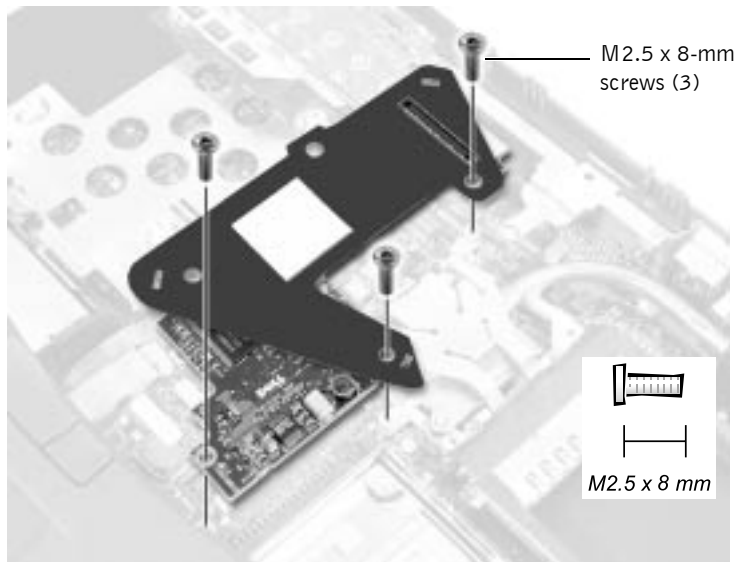
- 2 Tighten the cam lock screw.

 **NOTICE:** Do not over or under tighten the screw. Tighten it until the screw indicator points to the "closed" or "locked" indicator on the socket.

- 3 Replace the microprocessor thermal cooling assembly.
- 4 While pressing lightly down on the center of the retaining clip, insert a pry stick into the latch mechanism and pivot the top of the pry stick away from the clip to close the latch.



Video Card



- ➔ **NOTICE:** Disconnect the computer and attached devices from electrical outlets and remove any installed batteries.
- ➔ **NOTICE:** To avoid ESD, ground yourself by using a wrist grounding strap or by periodically touching an unpainted metal surface on the computer.

Removing the Video Card

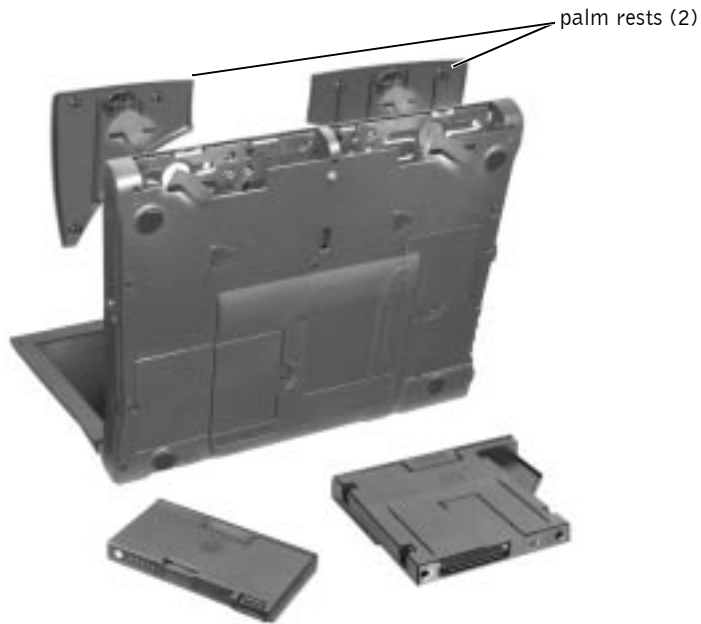
- 1 Follow the instructions in “[Preparing to Work Inside the Computer.](#)”
 - 2 Remove the [keyboard assembly](#).
 - 3 Remove the [hinge cover](#).
 - 4 Detach the display flex cable from the strain relief and the video card (see step 2 of “[Removing the Display Assembly](#)”).
 - 5 Remove the three M2.5 x 8-mm screws that secure the video card.
 - 6 Separate the video card from the system board connector.
- ➔ **NOTICE:** When reconnecting the flex cable, press down on both ends of the connector, not in the middle. Pressing the middle of the connector can damage fragile components.

Replacing the Video Card

- 1 Align the three screw holes and press down firmly on the top of the connector to seat the card in its connector.
- ➔ **NOTICE:** Make sure the card is correctly and firmly seated before continuing. Failure to do so will cause intermittent video failures.
- 2 Replace the three screws (the screw lengths are marked on the card).

Palm Rest Assembly

Removing and Replacing the Palm Rests



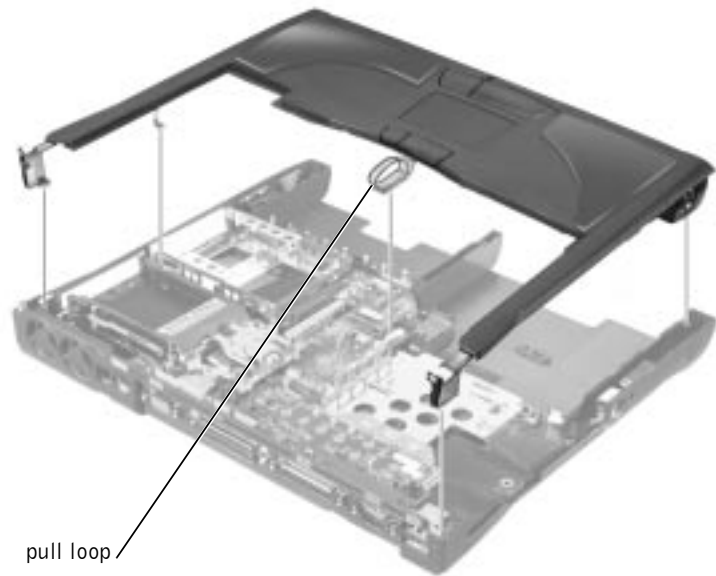
- 1 If the computer is connected (docked) to an advanced port replicator (APR), undock it.
- 2 Keep the display open, and tilt the computer back so that you can access the bottom of the computer.

- 3 Slide and hold the latch release on the left side, and remove any device installed in the media bay.
- 4 Slide and hold the latch release on the right side, and remove any battery installed in the battery bay.
- 5 Locate the indentation under each palm rest, place your thumbs on the indentation, and gently push to release the palm rests.



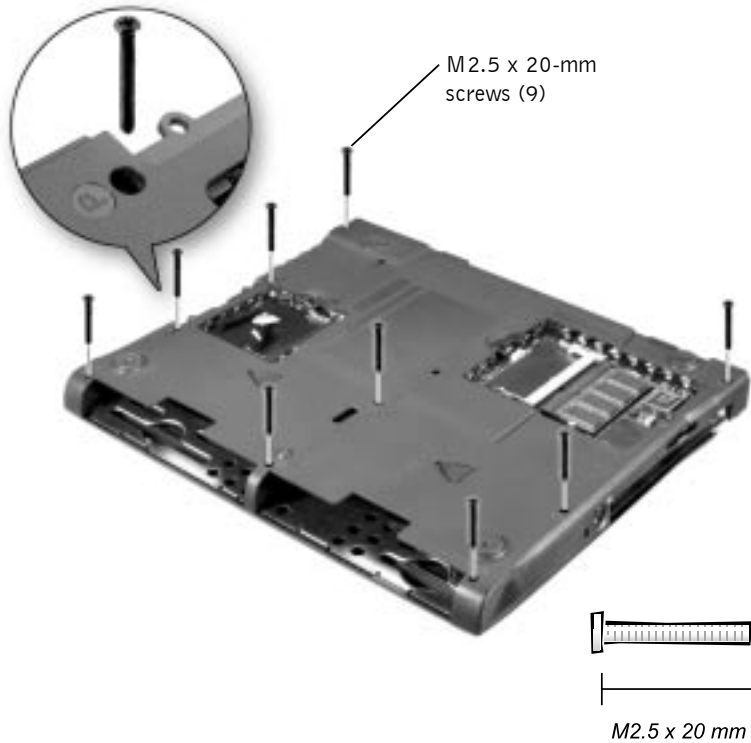
- 6 Remove the palm rests.
- 7 To replace a palm rest, insert it into the slots on the computer. Then press along the outside edges of the palm rest until it snaps into place. Repeat the process on each side.

Removing the Palm Rest Assembly



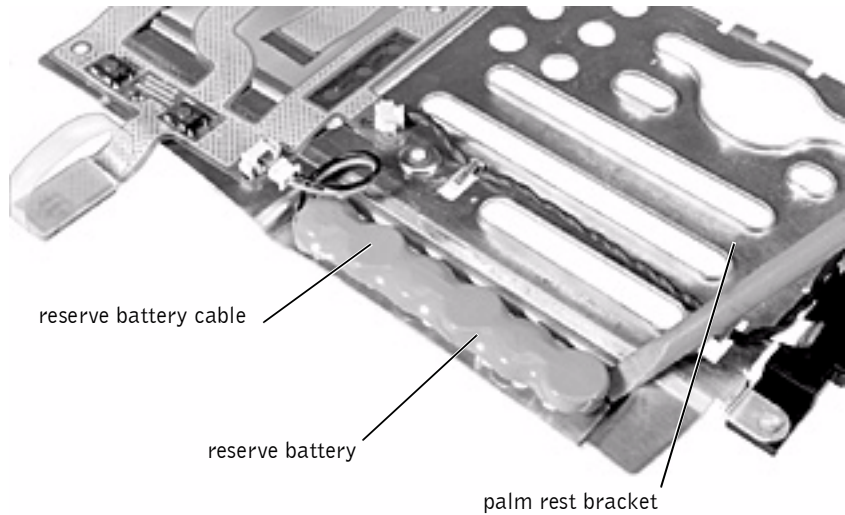
- ➔ **NOTICE:** Disconnect the computer and attached devices from electrical outlets and remove any installed batteries.
 - ➔ **NOTICE:** To avoid ESD, ground yourself by using a wrist grounding strap or by periodically touching an unpainted metal surface on the computer.
 - ➔ **NOTICE:** The reserve battery provides power to the computer's RTC and NVRAM when the computer is turned off. Removing the palm rest disconnects the reserve battery and causes the computer to lose the date and time information as well as all user-specified parameters in NVRAM. If possible, make a copy of this information before you disconnect the reserve battery.
- 1 Follow the instructions in [“Preparing to Work Inside the Computer.”](#)
 - 2 Remove the [hard drive](#) and the [fixed optical drive](#).
 - 3 Remove the [keyboard assembly](#).
 - 4 Remove the [hinge cover](#).
 - 5 Remove the [display](#).
- ➔ **NOTICE:** To avoid damaging the palm rest assembly, you must first remove the display assembly.

- 6 Turn the computer over.
- 7 Remove the nine M2.5 x 20-mm screws (labeled with a “circle P”) that secure the palm rest to the computer.



- 8 Turn the computer over.
- 9 Use the pull loop to disconnect the palm rest flex cable from the touch-pad connector on the system board.
- 10 Carefully lift out the palm rest assembly.

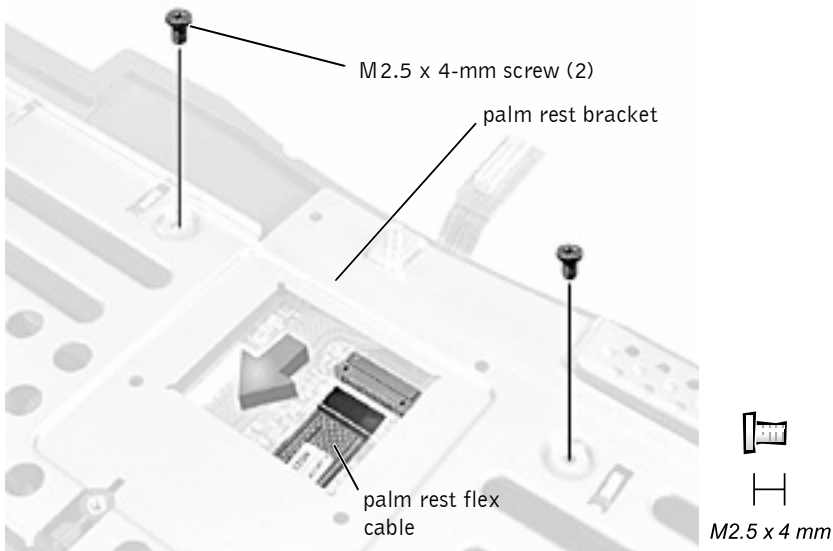
Reserve Battery



- ➔ **NOTICE:** Disconnect the computer and attached devices from electrical outlets and remove any installed batteries.
- ➔ **NOTICE:** To avoid ESD, ground yourself by using a wrist grounding strap or by periodically touching an unpainted metal surface on the computer.

Removing the Reserve Battery

- 1 Follow the instructions in “[Preparing to Work Inside the Computer.](#)”
- 2 Remove the [keyboard assembly](#).
- 3 Remove the [hinge cover](#).
- 4 Remove the [display assembly](#).
- 5 Remove the [palm rest assembly](#).
- 6 On the underside of the palm rest, disconnect the flex cable from the ZIF connector.



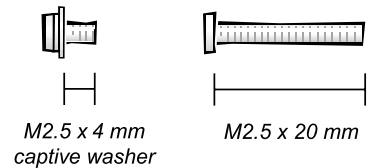
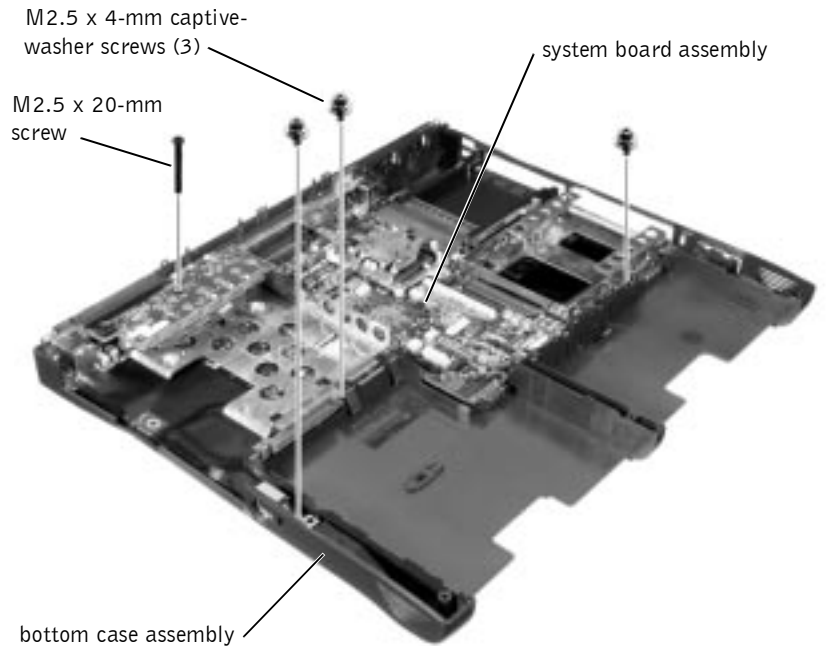
- 7 Remove the two M2.5 x 4-mm screws securing the palm rest bracket.
 - 8 While supporting the flex cable, lift out the palm rest bracket and turn it over.
- NOTICE:** The reserve battery provides power to the computer's RTC and NVRAM when the computer is turned off. Removing the battery causes the computer to lose the date and time information as well as all user-specified parameters in NVRAM. If possible, make a copy of this information before you remove the reserve battery.
- 9 Disconnect the reserve battery cable.
 - 10 Remove the reserve battery:
 - a Pry the reserve battery free from the metal palm rest bracket.
 - b Remove the foam-pad remnants from the palm rest bracket.

Replacing the Reserve Battery

- 1 Seat the reserve battery and press it into place.
- 2 Connect the reserve battery cable.

- 3 Place the palm rest bracket loosely in the palm rest, and connect the palm rest flex cable to the ZIF connector.
- 4 Replace the two M2.5 x 4-mm screws that secure the palm rest bracket to the palm rest.

System Board Assembly



- ➡ **NOTICE:** Disconnect the computer and attached devices from electrical outlets and remove any installed batteries.
- ➡ **NOTICE:** To avoid ESD, ground yourself by using a wrist grounding strap or by periodically touching an unpainted metal surface on the computer.

The system board's BIOS contains the system service tag number, which is also visible on a bar-code label on the bottom of the computer. The replacement kit for the system board assembly includes a floppy disk or CD that provides a utility for transferring the service tag number to the replacement system board assembly.



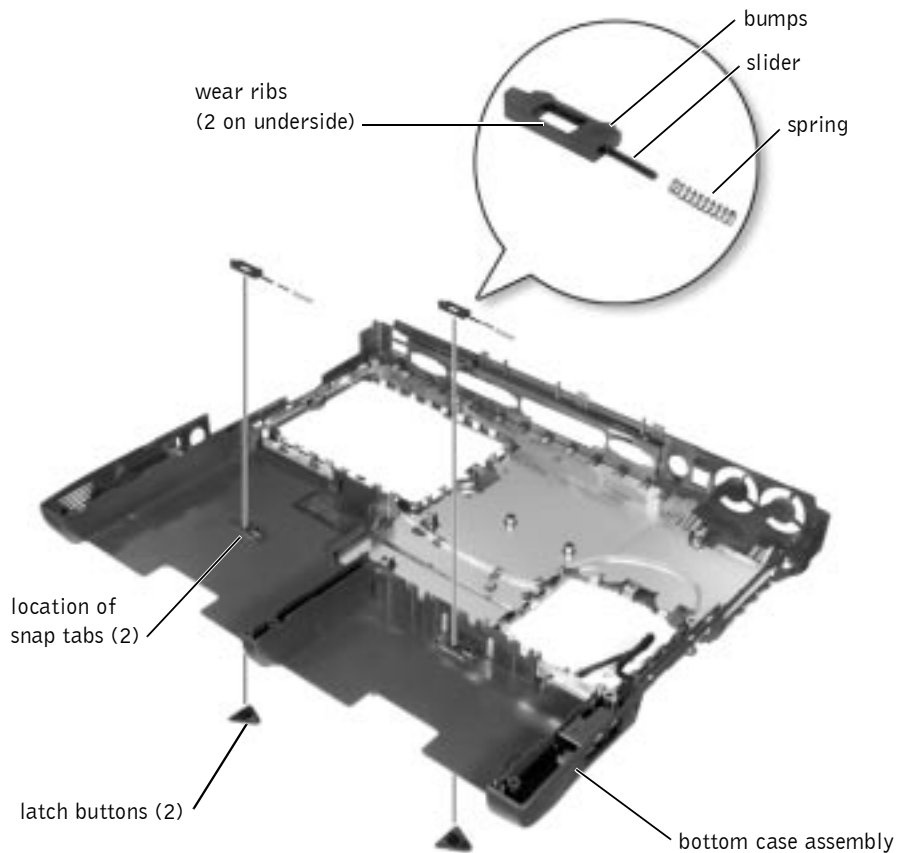
NOTICE: After replacing the microprocessor module, update the BIOS using a flash BIOS update program floppy disk or CD that came with the replacement microprocessor.

Removing the System Board

- 1 Follow the instructions in “Preparing to Work Inside the Computer.”
- 2 Remove the [hard drive](#) and [fixed optical drive](#).
- 3 Remove any installed [Mini PCI cards](#).
- 4 If migrating the memory, remove all installed [memory modules](#).
- 5 Remove the [keyboard assembly](#).
- 6 Remove the [hinge cover](#).
- 7 Remove the [display assembly](#).
- 8 Remove the [palm rest assembly](#).
- 9 Remove the [video card](#).
- 10 Remove the [microprocessor thermal cooling assembly](#).
- 11 If migrating the microprocessor, remove the microprocessor module.
- 12 Remove the three M2.5 x 4-mm captive-washer screws from the system board.
- 13 Remove the M2.5 x 20-mm screw from the center of the LED board.
- 14 Lift the front of the system board and work it out of the back panel.



Battery and Media Bay Latch Assemblies



➔ **NOTICE:** Disconnect the computer and attached devices from electrical outlets and remove any installed batteries.

➔ **NOTICE:** To avoid ESD, ground yourself by using a wrist grounding strap or by periodically touching an unpainted metal surface on the computer.

Removing and Replacing the Battery and Media Bay Latch Assemblies

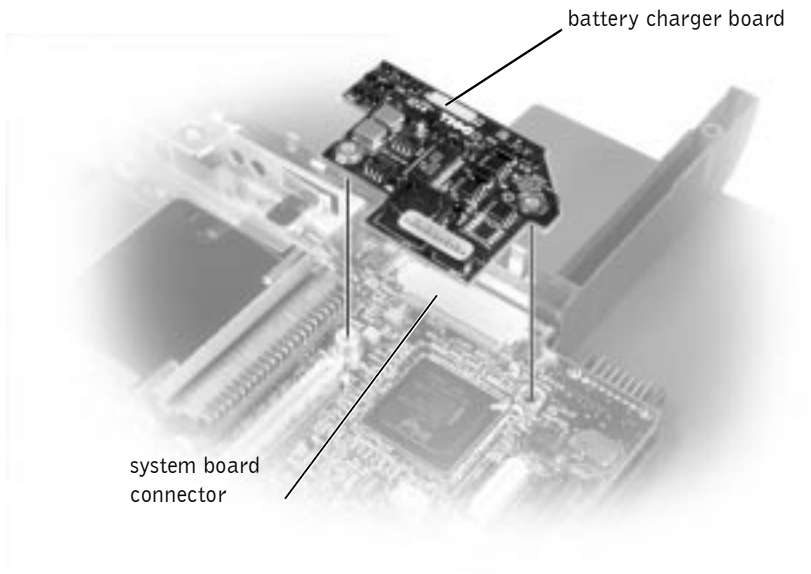
- 1 Follow the instructions in “[Preparing to Work Inside the Computer.](#)”
- 2 Remove the [keyboard assembly](#).
- 3 Remove the [hinge cover](#).
- 4 Remove the [display assembly](#).
- 5 Remove the [palm rest assembly](#).

- 6 Remove a latch button from the bottom case assembly by squeezing the snap tabs in the center of the latch.

Apply downward pressure to the tabs while squeezing them together (tweezers work well) to eject the latch button from the bottom of the case without loosening the upper latch assembly (spring and slider). If the upper latch assembly does come loose:

- a Reinsert the spring onto the slider, and reinstall both pieces in the latch housing on the inside of the case.
 - b Ensure that the slider is inserted so that the side with the two bumps is facing the back of the case, and the surface with the wear ribs is facing the bottom of the case.
- 7 Hold the upper latch assembly in place while you snap the new latch button in from underneath the base, making certain the snap tabs are fully engaged in the slider.
 - 8 Ensure that the newly installed latch assembly moves smoothly and freely when pushed and released.

Battery Charger Board



- ➔ **NOTICE:** Disconnect the computer and attached devices from electrical outlets and remove any installed batteries.
- ➔ **NOTICE:** To avoid ESD, ground yourself by using a wrist grounding strap or by periodically touching an unpainted metal surface on the computer.

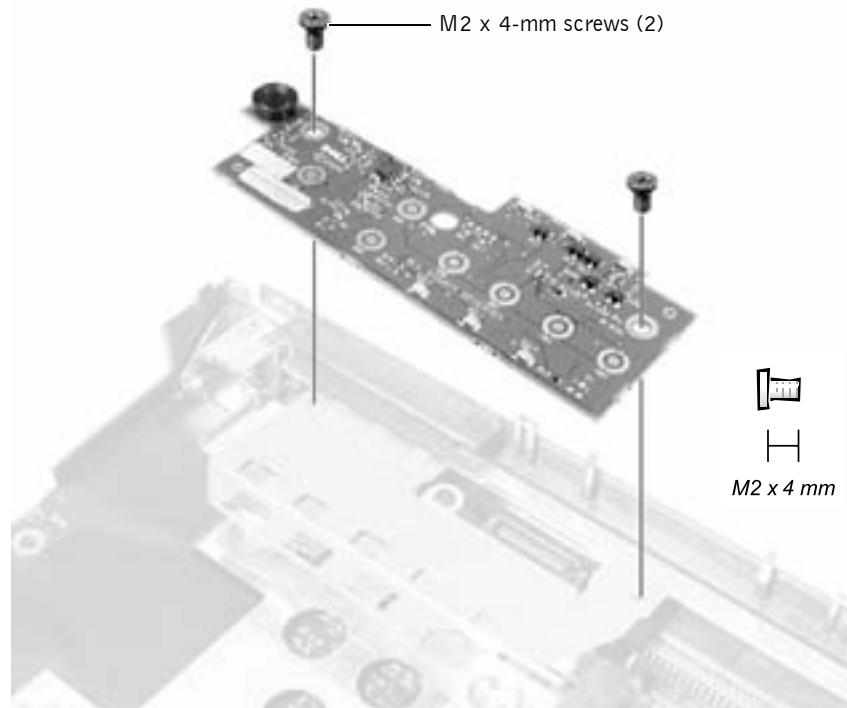
Removing the Battery Charger Board

- 1 Follow the instructions in “[Preparing to Work Inside the Computer.](#)”
- 2 Remove the [keyboard assembly](#).
- 3 Remove the [hinge cover](#).
- 4 Remove the [display assembly](#).
- 5 Remove the [palm rest assembly](#).
- 6 Lift out the video card.
- 7 Lift the battery charger board out of the system board connector.

Replacing the Battery Charger Board

Align the screw holes on the battery charger board with the screw holes on the bottom case assembly, and then press the battery charger board down into its connector.

LED Board



- ➔ **NOTICE:** Disconnect the computer and attached devices from electrical outlets and remove any installed batteries.
- ➔ **NOTICE:** To avoid ESD, ground yourself by using a wrist grounding strap or by periodically touching an unpainted metal surface on the computer.

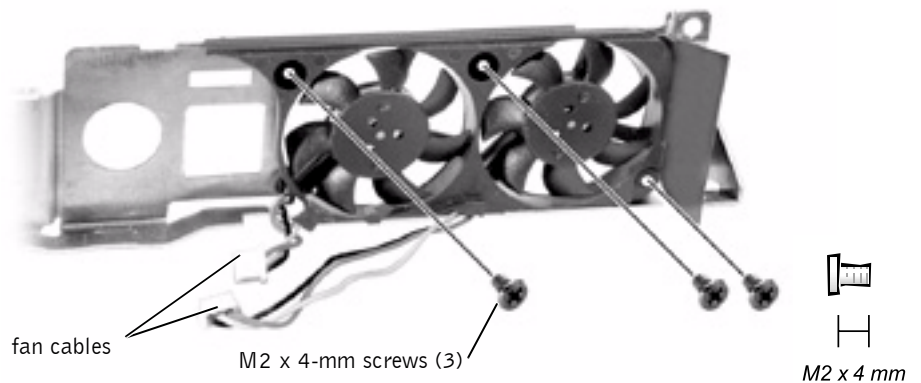
Removing the LED Board

- 1 Follow the instructions in “[Preparing to Work Inside the Computer.](#)”
- 2 Remove the [hinge cover](#).
- 3 Remove the two M2 x 4-mm screws.
- 4 Pull the LED board away from its connector.

Replacing the LED Board

- 1 Align the two screw holes with the two mounting holes on the bottom case assembly, and press the board into its connector.
- 2 Replace the two M2 x 4-mm screws.

Fan Assembly



- ➔ **NOTICE:** Disconnect the computer and attached devices from electrical outlets and remove any installed batteries.
- ➔ **NOTICE:** To avoid ESD, ground yourself by using a wrist grounding strap or by periodically touching an unpainted metal surface on the computer.

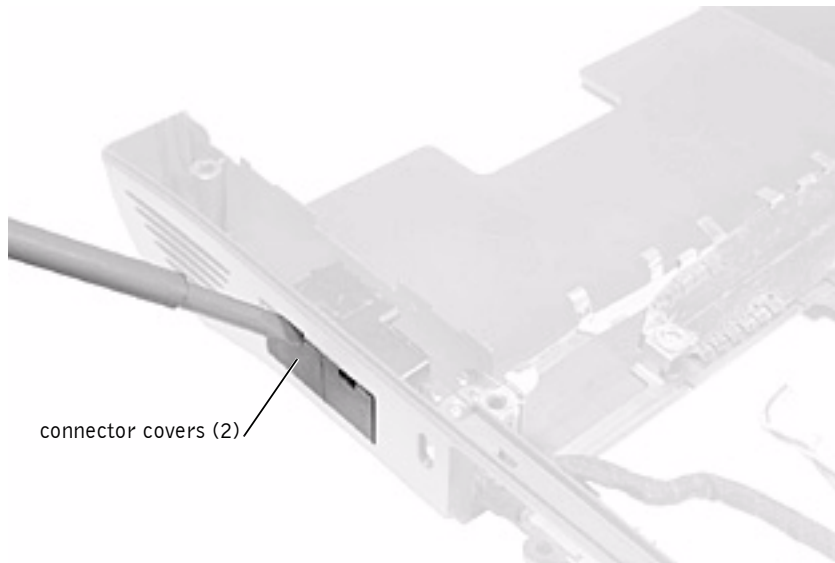
Removing the Fan Assembly

- 1 Follow the instructions in “[Preparing to Work Inside the Computer](#).”
 - 2 Remove the [system board](#).
 - 3 Remove the three M2 x 4-mm screws from the fan assembly.
 - 4 Disconnect the two fan cables from the system board.
 - 5 Pull the fan assembly away from the back-panel bracket.
- ➡ **NOTICE:** When reconnecting the fan cables, connect the shorter cable to the connector closest to the fan assembly. Route both cables so that they will not be pinched by the thermal cooling assembly.

RJ-11/RJ-45 Board

- ➡ **NOTICE:** Disconnect the computer and attached devices from electrical outlets and remove any installed batteries.
- ➡ **NOTICE:** To avoid ESD, ground yourself by using a wrist grounding strap or by periodically touching an unpainted metal surface on the computer.

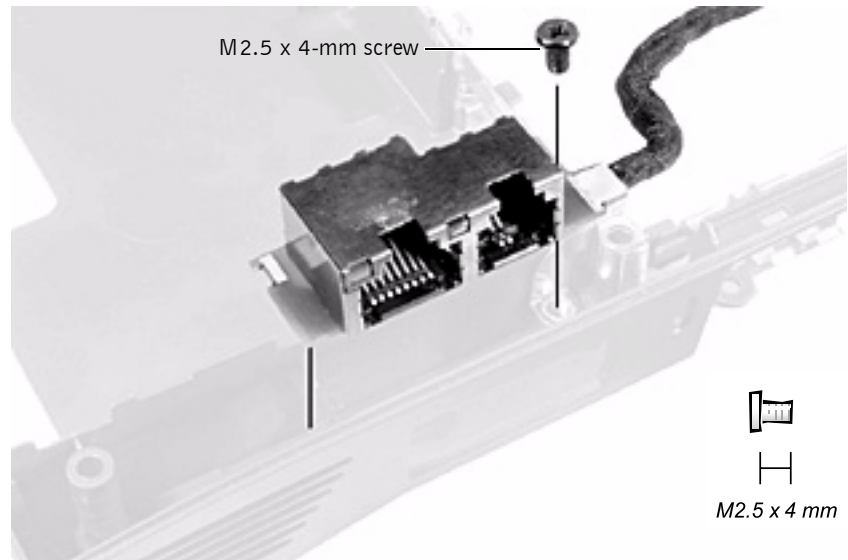
Removing the Protective Covers From the RJ-11 and RJ-45 Connectors



- 1 Follow the instructions in “[Preparing to Work Inside the Computer.](#)”
- 2 Remove one or both of the plastic connector covers (one or both of the covers may be installed) by slipping a nonmarring tool into the cutout at the top and pivoting the tool up to disengage the inner securing tab.

To replace a connector cover, orient the cover notch-side-up and snap it into the connector cutout.

Removing the RJ-11/RJ-45 Board



- 1 Follow the instructions in “[Preparing to Work Inside the Computer.](#)”
- 2 Remove the [system board](#).
- 3 Remove the M2.5 x 4-mm screw from the RJ-11/RJ-45 board.

➡ NOTICE: The plastic tab is fragile; pull it back only far enough to remove the board assembly.

- 4 Reach into the enclosure and, while pulling the tall plastic tab away from the board assembly to release it, lift out the assembly.

When replacing the RJ-11/RJ-45 board assembly, protect the wiring harness by routing it between the plastic posts as shown in the following figure.

